

# Series 24s PTFE-lined Spacer

## Application:

Series 24s Spacer with PTFE lining for process engineering and plants with industrial requirements, especially suitable for corrosive process media:

- Nominal size 3" / 3"  
3" / 2"  
2" / 2"  
2" / 1"
- Nominal pressure ANSI Class 150
- Temperature -50 °C to 200 °C (-58 °F to 392 °F)

The spacer consists of a PTFE-lined body which has the following features:

- Body style
  - Lug type
- Body made of EN-JS 1049 / A395 with approx. 4 mm thick PTFE lining.
- All wetted parts are PTFE coated.
- 1" drain connection
- Longer drain connection for trouble-free installation into insulated pipelines as well.

## 1" drain connection for:

- Rinsing connection for cleaning the pipeline
- Media extraction

## Pressure-temperature diagram:

The area of application is determined by the pressure-temperature diagram. Process data and the process medium can affect the values in the diagram.

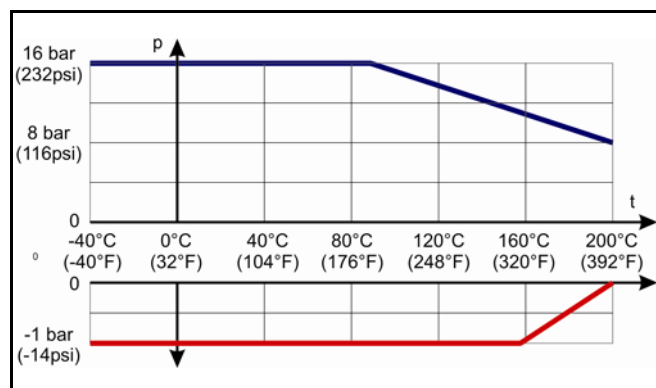


Fig. 1 - Pressure-temperature diagram



Fig. 2 - Series 24s PTFE-lined Spacer

## General technical data:

Nominal size	3" / 3" 3" / 2" 2" / 2" 2" / 1"
Nominal pressure	ANSI Class 150
End connection	can be mounted between Class 150
Temperature range	See pressure-temperature diagram

Table 1 - Technical data

## Materials:

Body	EN-JS 1049 / A395
Liner	PTFE
Coating	2-component polyurethane varnish, black, RAL 9005

Table 2 - Materials

## Details of the spacer:

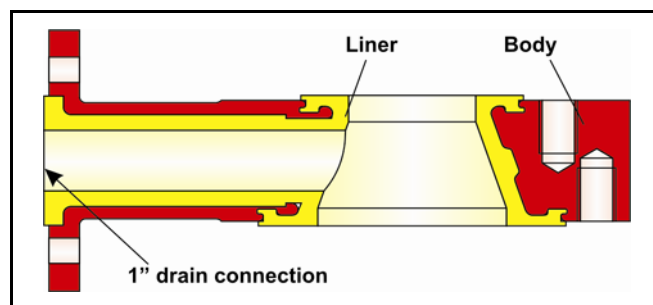


Fig. 3 - Series 24s Spacer

**Dimensions:**

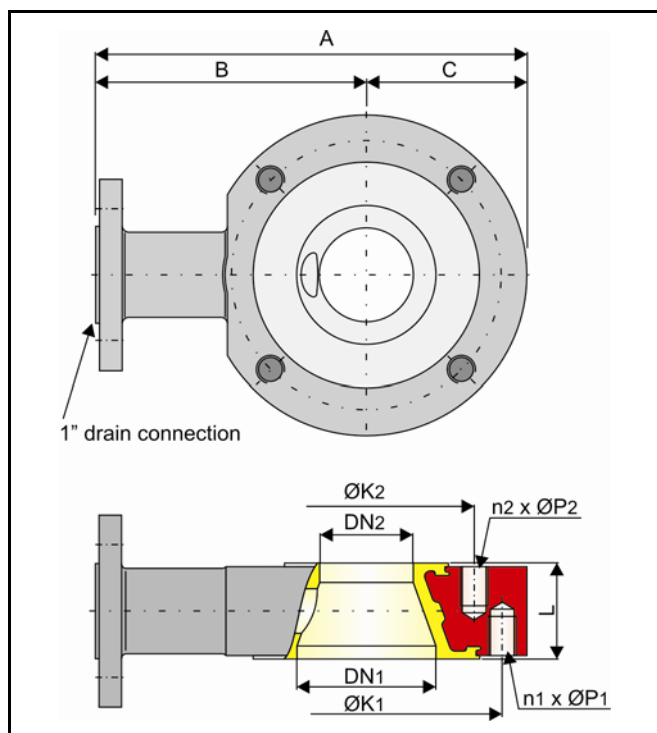


Fig. 4 – Dimensional drawing

DN1	50 / 2"	50 / 2"	80 / 3"	80 / 3"
DN2	25 / 1"	50 / 2"	50 / 2"	80 / 3"
A	211	242	242	242
B	135	152	152	152
C	76	90	90	90
L	54	54	54	54
ØK1	120.7	120.7	152.4	152.4
ØK2	79.4	120.7	120.7	152.4
n1 x P1	4 x 5/8"	4 x 5/8"	4 x 5/8"	4 x 5/8"
n2 x P2	4 x 1/2"	4 x 5/8"	4 x 5/8"	4 x 5/8"

Table 3 - Dimensions in mm

**Ordering text:**

Series 24s PTFE-lined Spacer,  
DN . . . .  
PN . . . .  
Optional special version

**Selecting and sizing the spacer:**

1. Calculate the appropriate Kv value.
2. Comparing the operating conditions according to the pressure-temperature diagram.



**Note:** All relevant details regarding the version ordered, which deviate from the specified version in this technical description data, can be taken from the order confirmation.

Please contact our technical sales team for your special requirements

**Pfeiffer Chemie-Armaturenbau GmbH**

Hooghe Weg 41 • 47906 Kempen  
Telefon: 02152 / 2005-0 • Telefax: 02152 / 1580  
E-Mail: [vertrieb@pfeiffer-armaturen.com](mailto:vertrieb@pfeiffer-armaturen.com) • Internet: [www.pfeiffer-armaturen.com](http://www.pfeiffer-armaturen.com)

Specifications subject to change without notice.

PDF=971