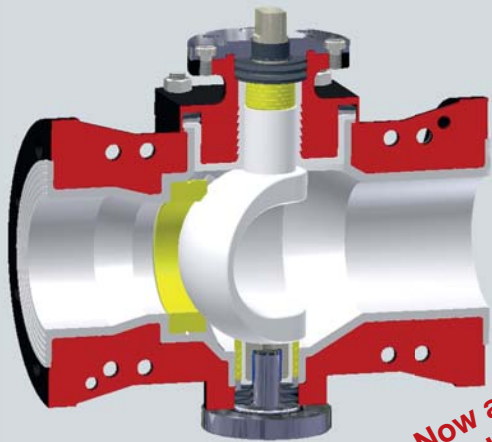


# New products

# Company profile

## PTFE-lined Series 23e Rotary Plug Valve



*Now available  
in DN 100/NPS 4*

## Series 26d SVS



**Flexible attachment of hoses to ball valves  
using a quick-lock system (SVS)  
e.g. for utility stations in the chemical industry**

\*Registered as a German utility model

Pfeiffer Chemie-Armaturenbau GmbH is located in Kempen, a small town close to the Netherland border. Our workforce of approx 200 people design and produce valves sold all over the globe.

We specialize in valves with high-grade linings made of PTFE or PFA. Lining the intricately shaped inside surfaces of a valve is certainly an engineering challenge, especially to achieve a uniform thickness and the highest lining quality.

Various ceramic linings as well as globe valves, butterfly valves and ball valves made of steel, stainless steel and exotic alloys, such as titanium and nickel as well as Hastelloy, Duplex, Super Duplex ect., complete our product range.

An additional area of expertise is turnkey pigging installations. We specialize in planning and manufacturing turnkey pigging systems tailored to the customers' specific needs. Pigs are run through a pipeline section to efficiently clean out excess liquids and solids. This reduces product loss and allows different media to run



through the same pipe after one another without being mixed or contaminated.

To optimize production processes, all components are kept in stock in a newly built warehouse before final assembly of the valves.

This guarantees on-time delivery.



# New Products



**Pfeiffer Chemie-Armaturenbau GmbH**

Hooghe Weg 41 • 47906 Kempen • Germany  
Phone: +49 2152 2005 0 • Fax: +49 2152 1580  
E-mail [vertrieb@pfeiffer-armaturen.com](mailto:vertrieb@pfeiffer-armaturen.com)  
[www.pfeiffer-armaturen.com](http://www.pfeiffer-armaturen.com)



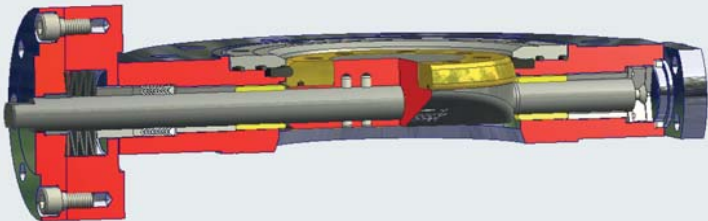
# New products

# Sampling solutions

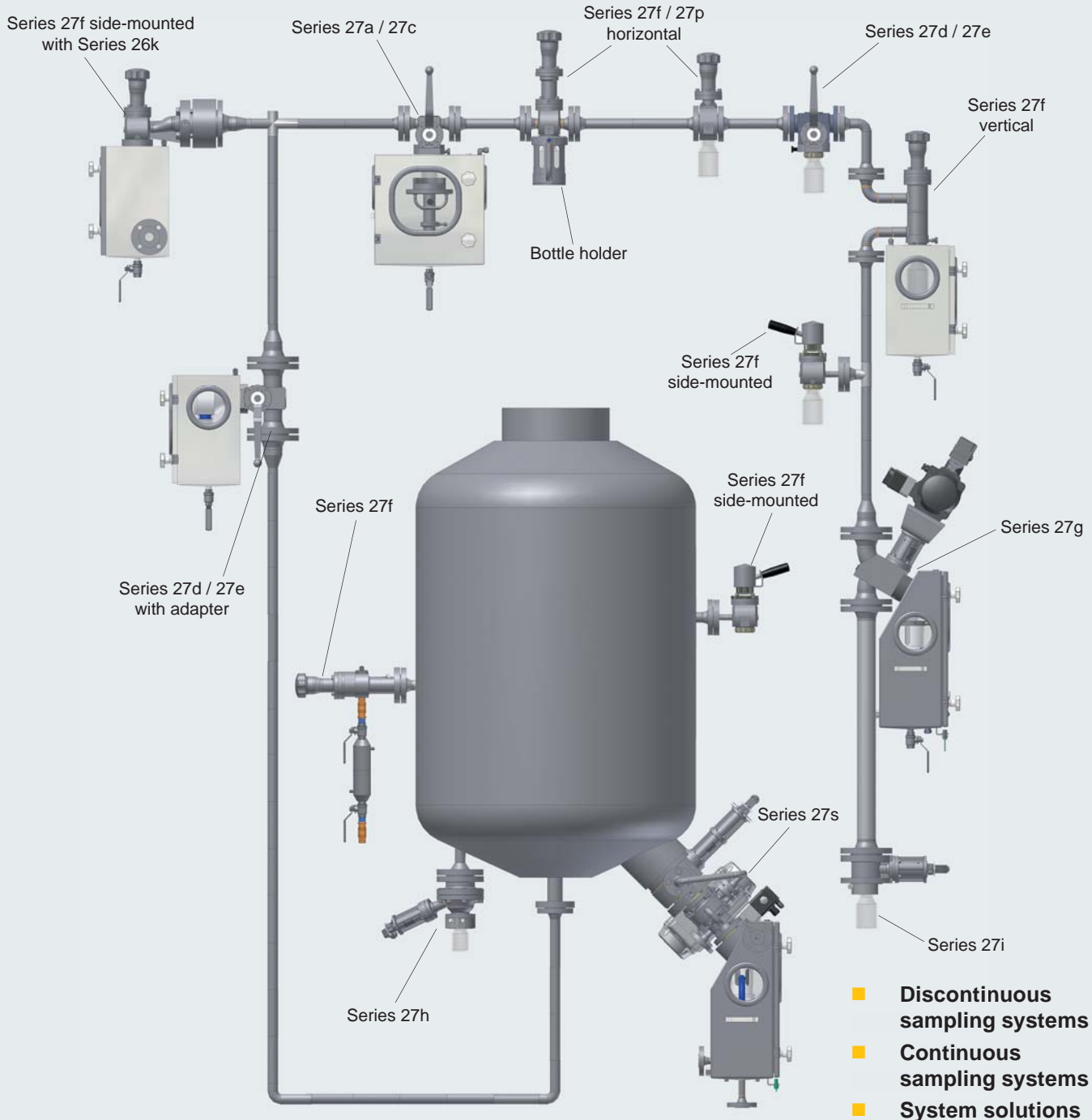
## New solutions for PSA plants



**Series 14 - PSA**



- Proven design optimized for high switching frequency
- Less friction influences
- Gas tight on both sides
- State-of-the-art automation



- Discontinuous sampling systems
- Continuous sampling systems
- System solutions